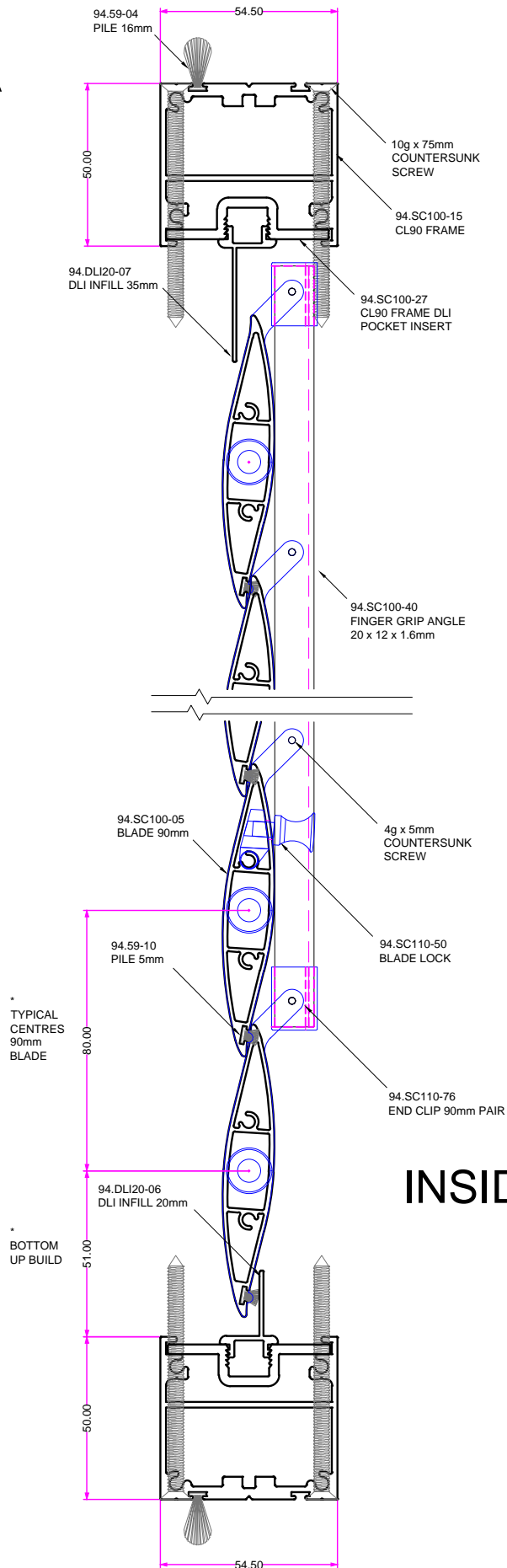
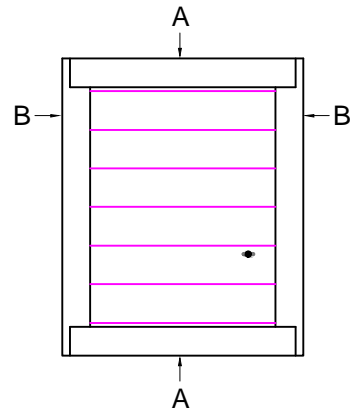


ELIPSO CL (CYCLONE LOUVRE) FIXED LOUVRE FRAMELESS CONFIGURATION

A-A



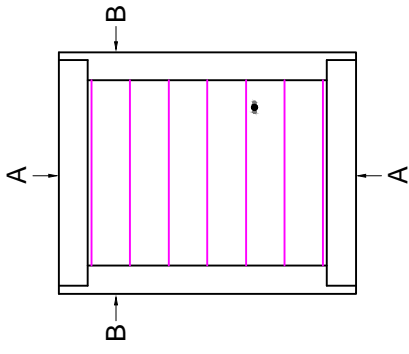
INSIDE



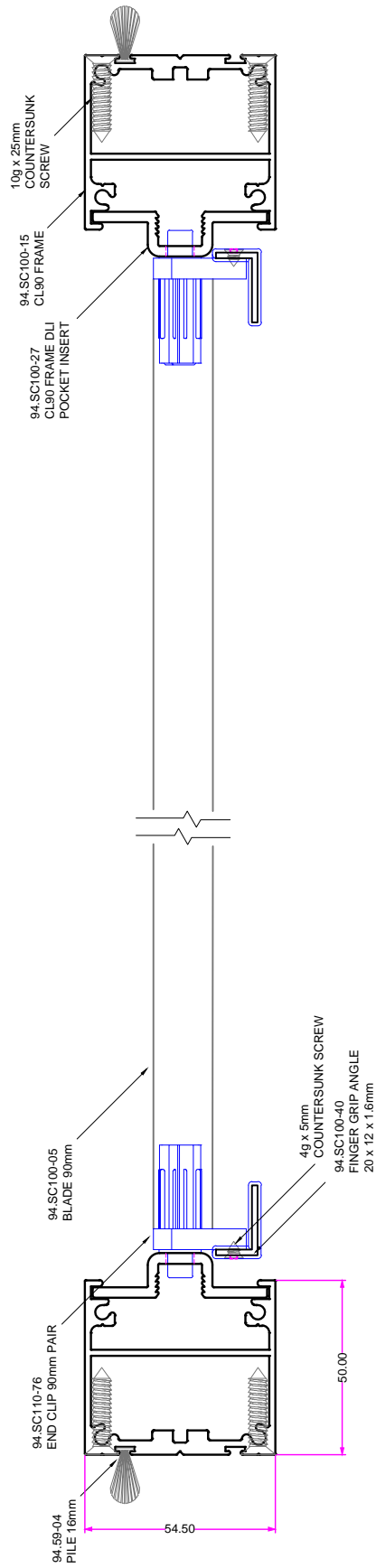
SCALE 1:2

OZROLL ELIPSO CL 05.01

ELIPSO CL (CYCLONE LOUVRE) FIXED LOUVRE FRAMELESS CONFIGURATION



B-B



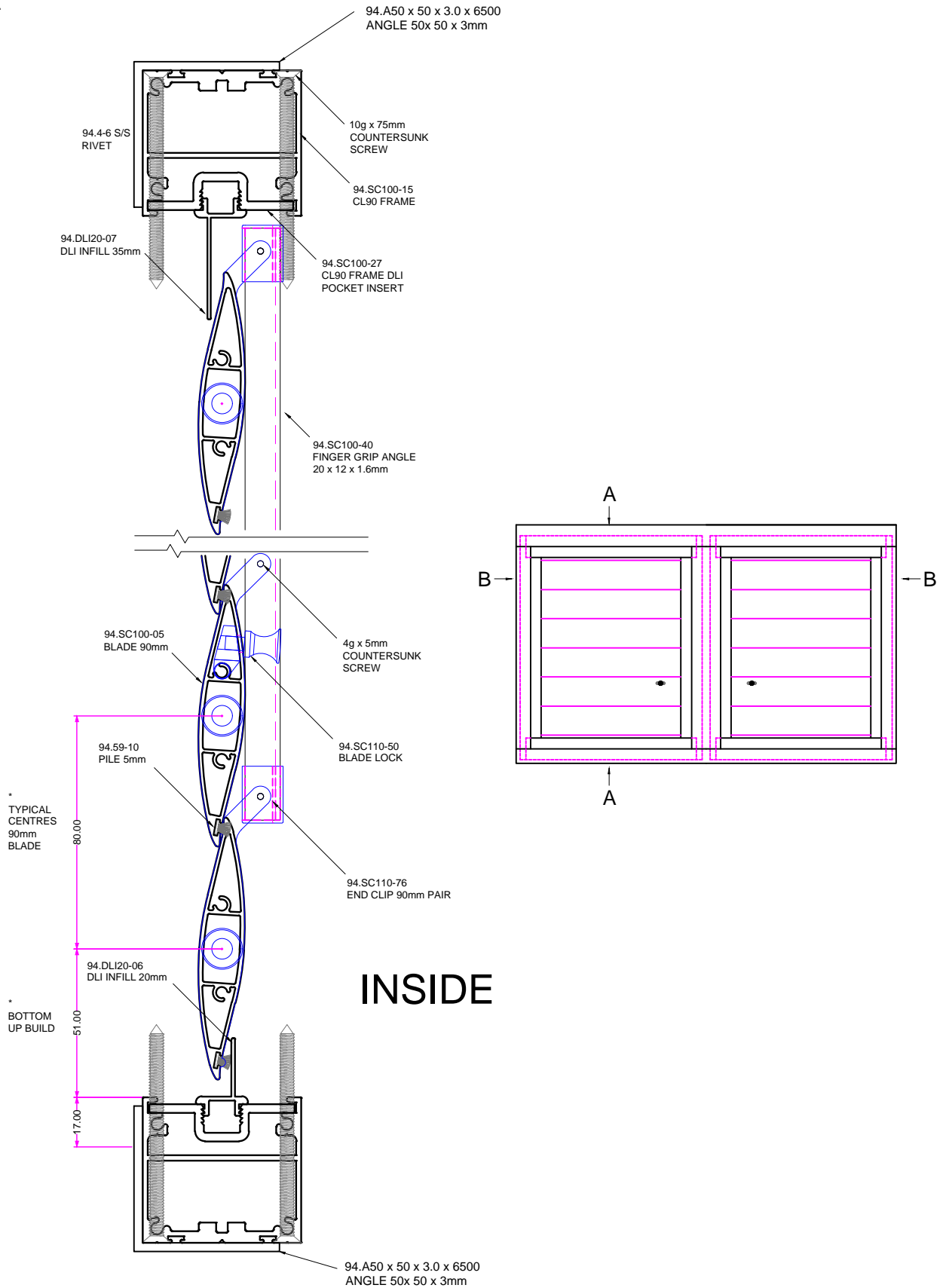
INSIDE

SCALE 1:2

OZROLL ELIPSO CL 05.02

ELIPSO CL (CYCLONE LOUVRE) FIXED-FIXED LOUVRE FRAMED CONFIGURATION

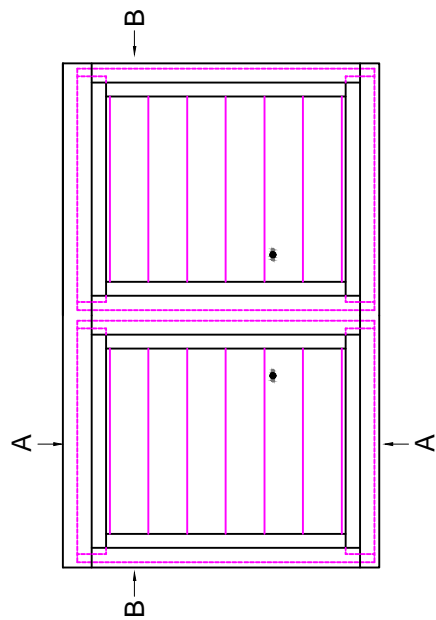
A-A



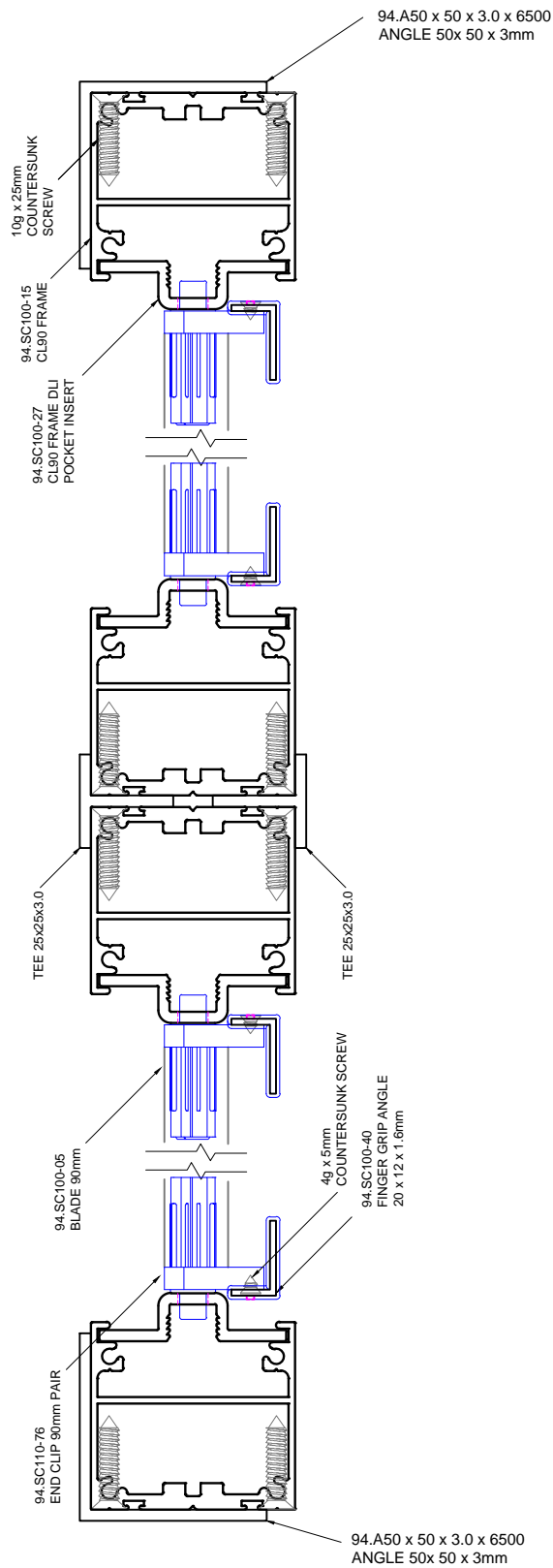
SCALE 1:2

OZROLL ELIPSO CL 05.05

ELIPSO CL (CYCLONE LOUVRE) FIXED-FIXED LOUVRE FRAMED CONFIGURATION



B-B



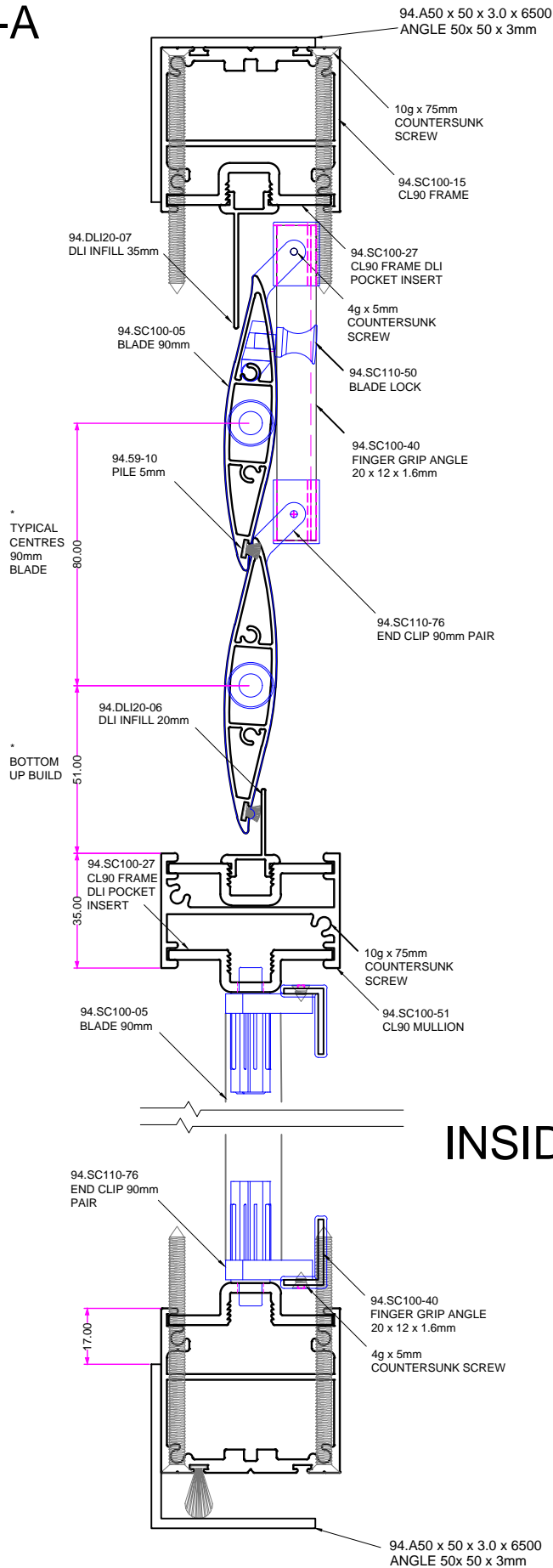
INSIDE

SCALE 1:2

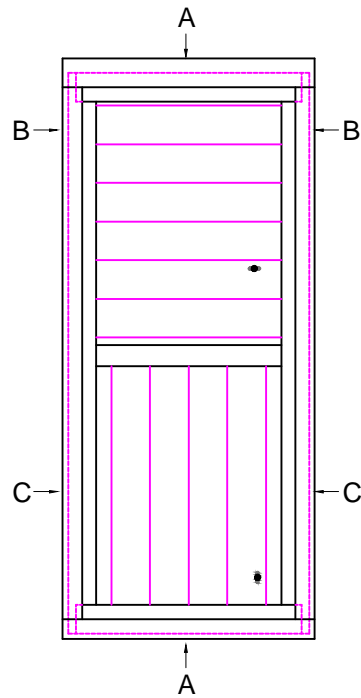
OZROLL ELIPSO CL 05.06

ELIPSO CL (CYCLONE LOUVRE) FIXED LOUVRE INCL. MIDRAIL / VERTICAL FIXED LOUVRE FRAMED CONFIGURATION

A-A



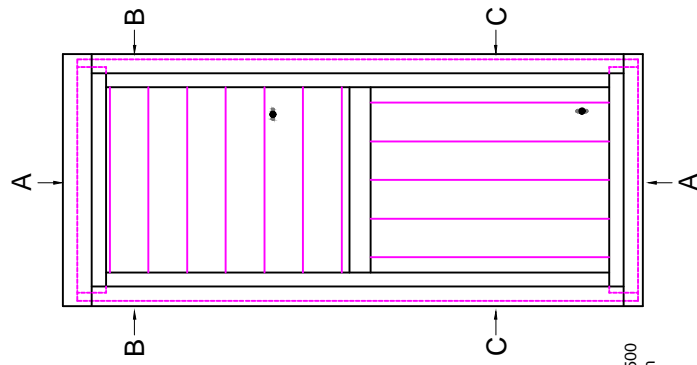
INSIDE



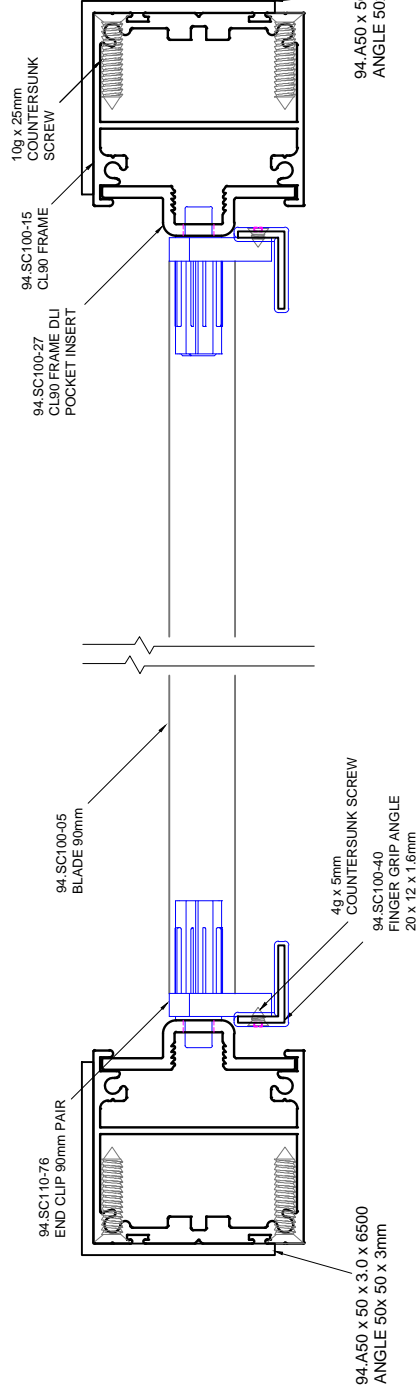
SCALE 1:2

OZROLL ELIPSO CL 05.09

ELIPSO CL (CYCLONE LOUVRE) FIXED LOUVRE INCL. MIDRAIL / VERTICAL FIXED LOUVRE FRAMED CONFIGURATION

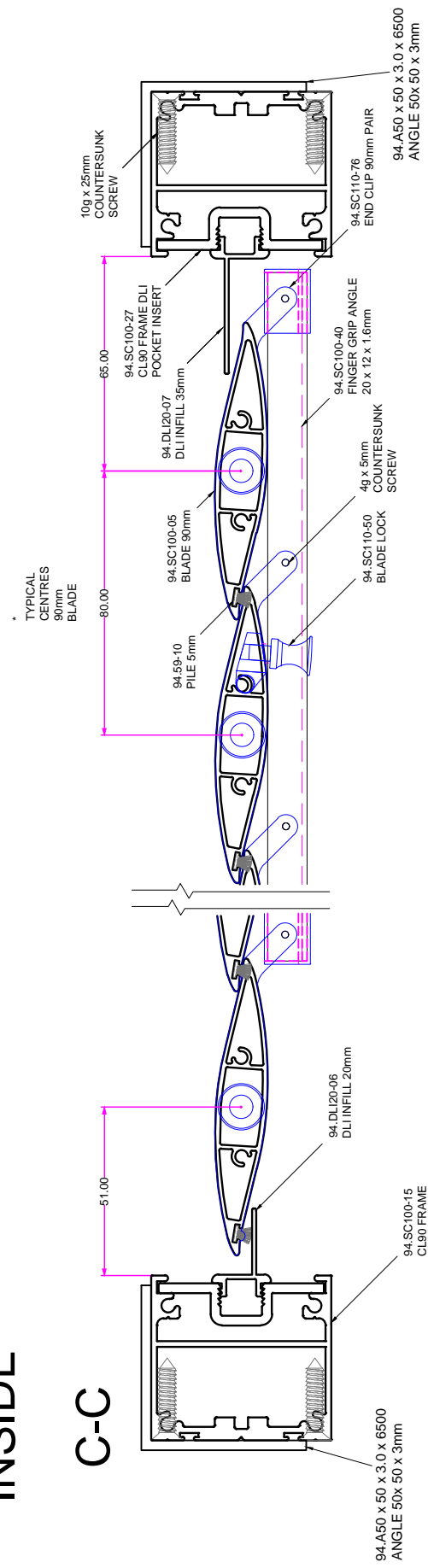


B-B



INSIDE

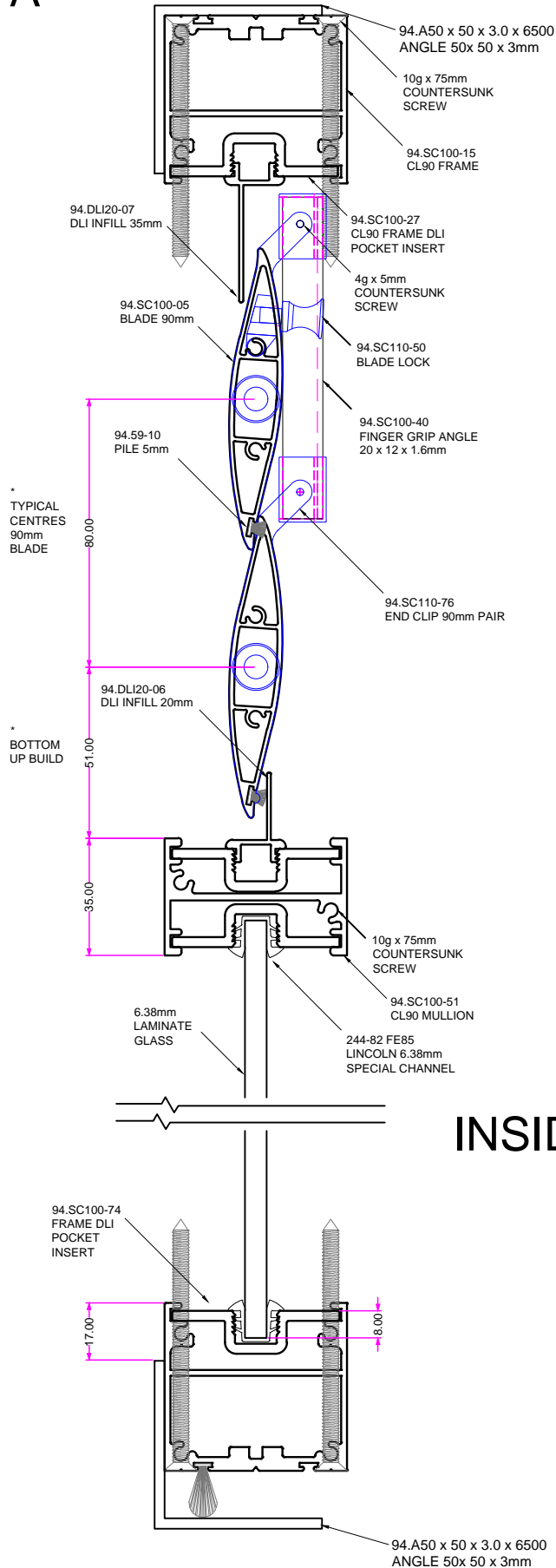
C-C



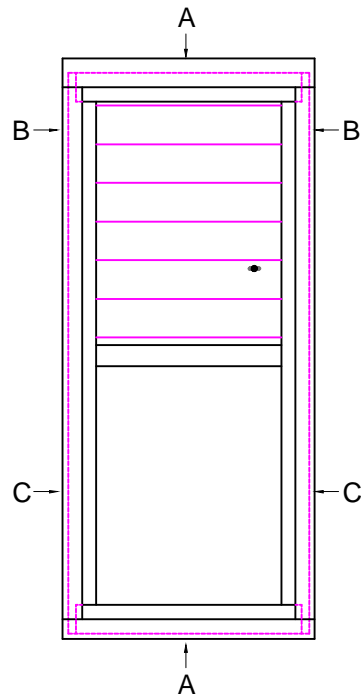
INSIDE

ELIPSO CL (CYCLONE LOUVRE) FIXED LOUVRE INCL. MIDRAIL / SINGLE GLAZED FIXED PANEL FRAMED CONFIGURATION

A-A



INSIDE

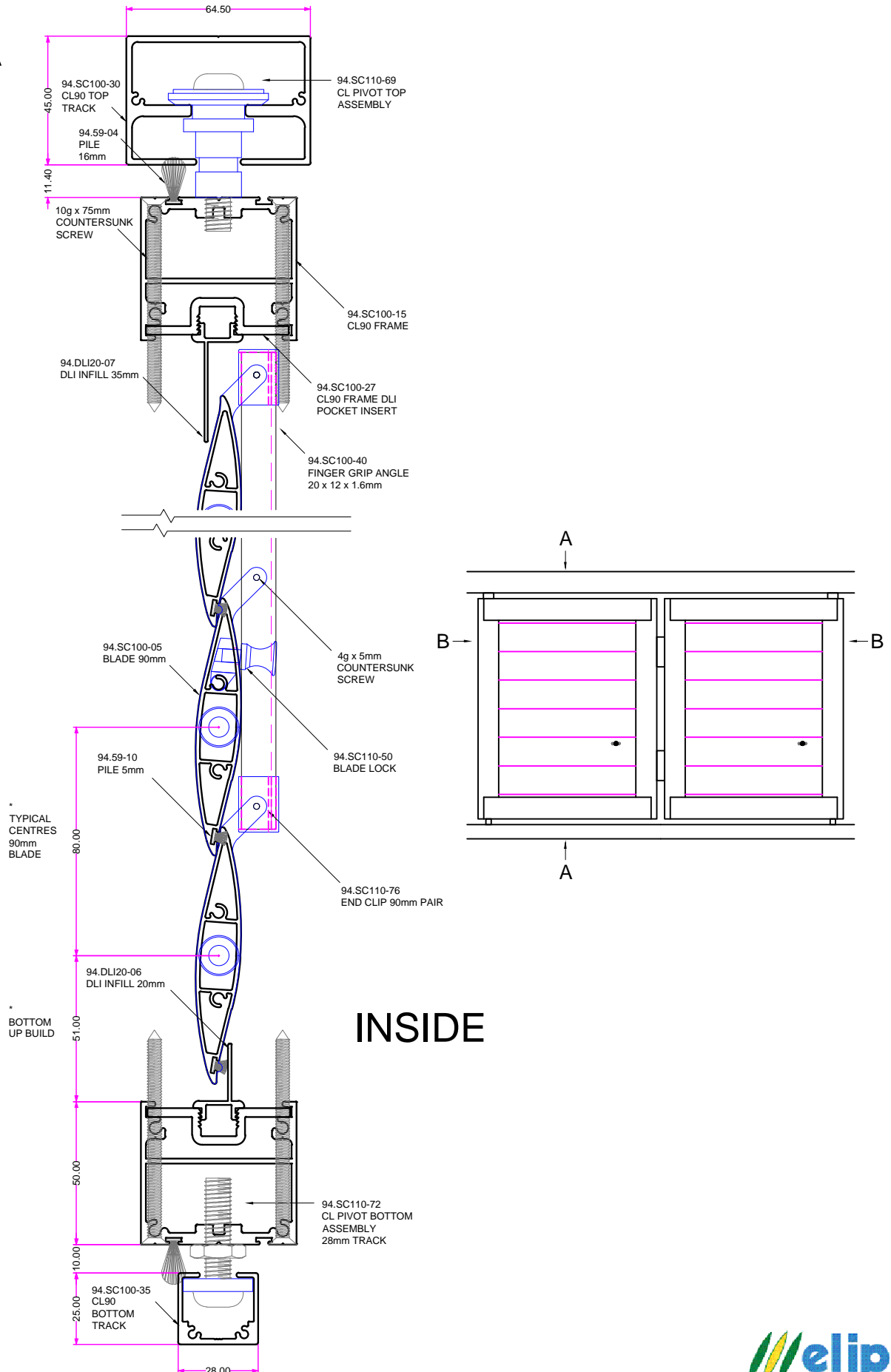


SCALE 1:2

OZROLL ELIPSO CL 05.11

ELIPSO CL (CYCLONE LOUVRE) BI-FOLD LOUVRE FOLDING IN CONFIGURATION

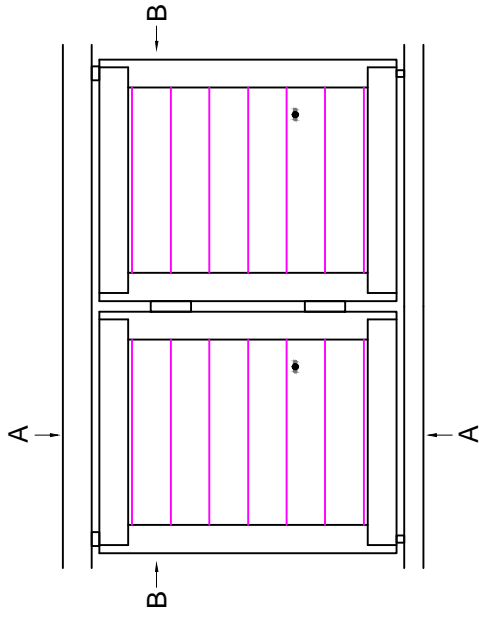
A-A



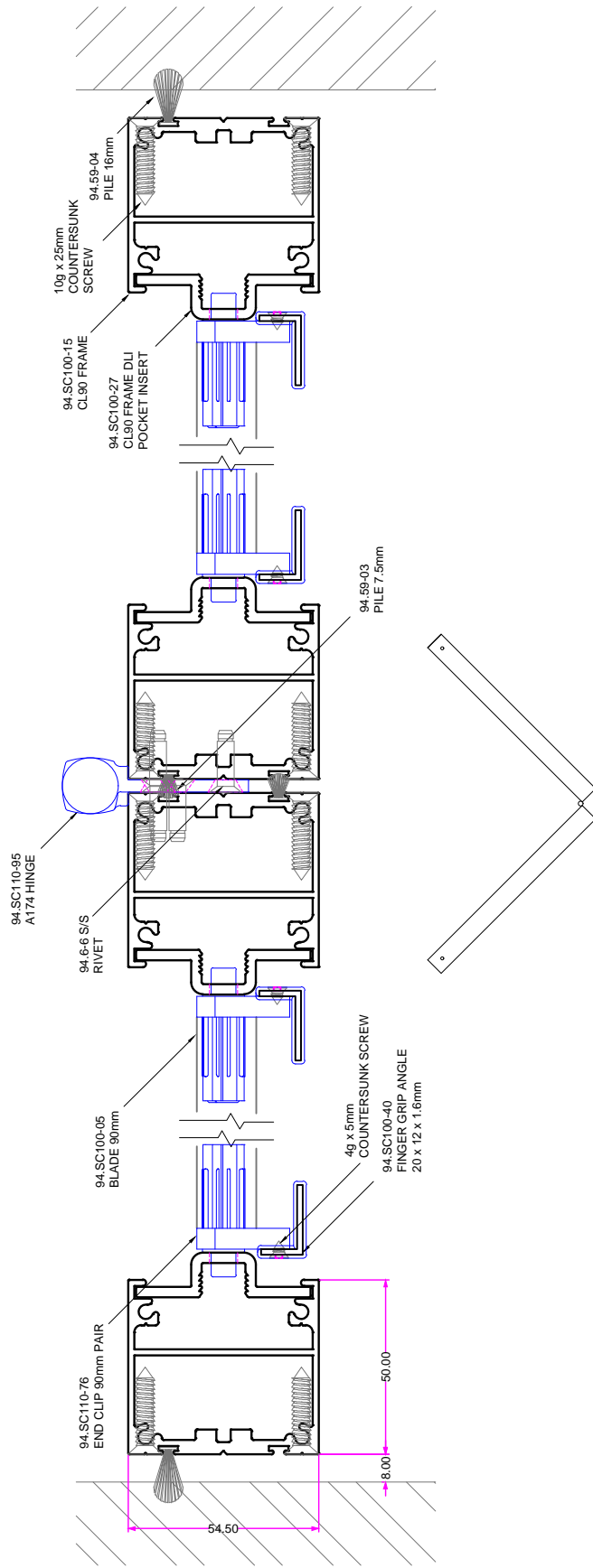
SCALE 1:2

OZROLL ELIPSO CL 05.17

ELIPSO CL (CYCLONE LOUVRE) BI-FOLD LOUVRE FOLDING IN CONFIGURATION



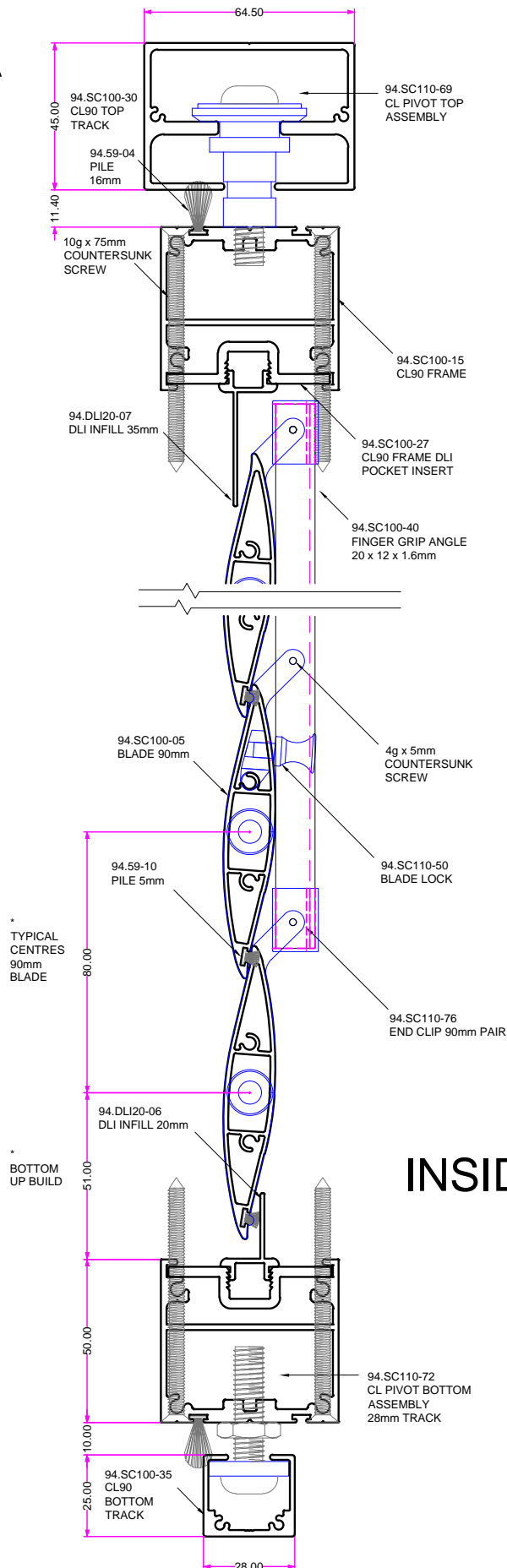
B-B



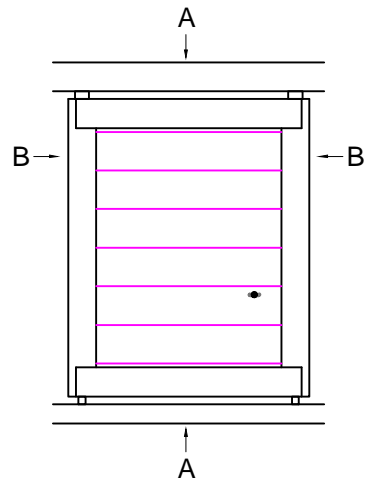
INSIDE

ELIPSO CL (CYCLONE LOUVRE) SLIDING LOUVRE CONFIGURATION

A-A



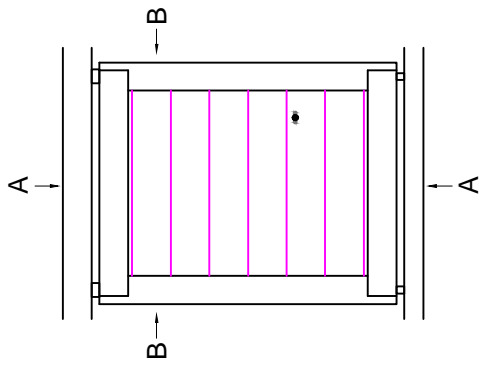
INSIDE



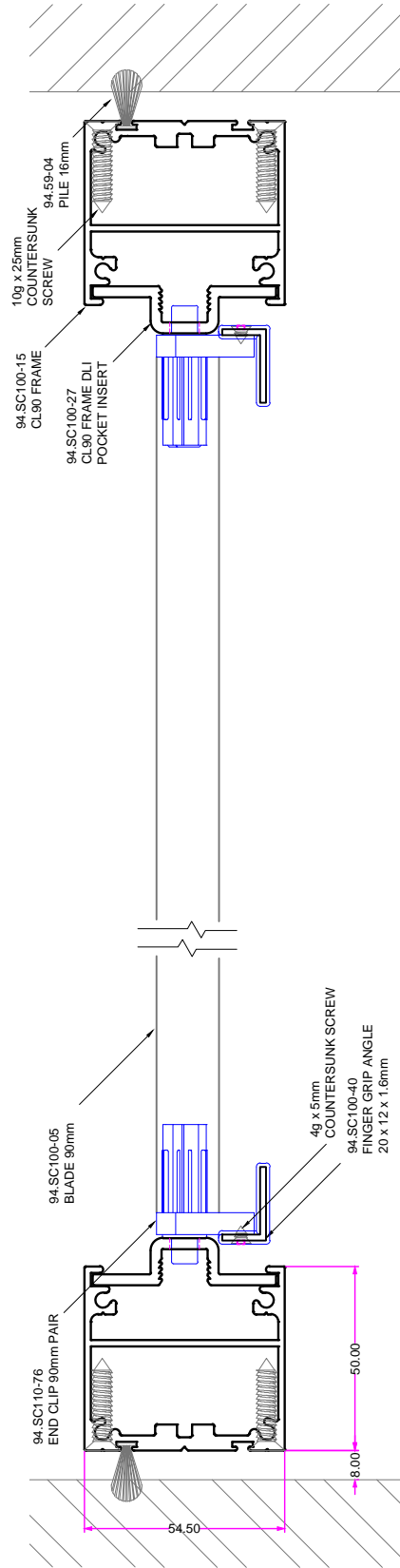
SCALE 1:2

OZROLL ELIPSO CL 05.27

ELIPSO CL (CYCLONE LOUVRE) SLIDING LOUVRE CONFIGURATION



B-B



INSIDE

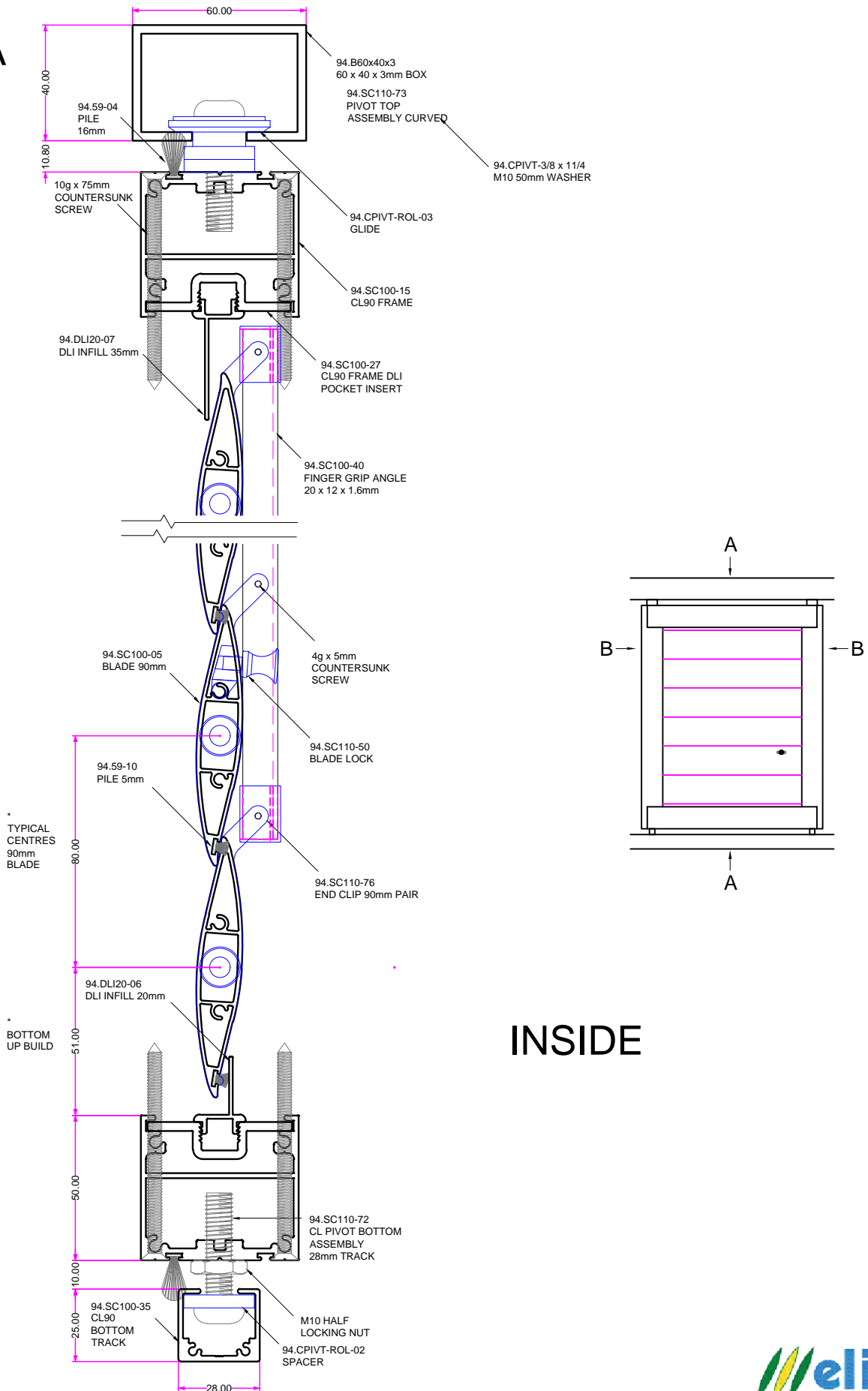
SCALE 1:2

OZROLL ELIPSO CL 05.28



ELIPSO CL (CYCLONE LOUVRE) SLIDING LOUVRE MULTIPLE TRACK STACKING / CURVED CLOSED BLADE CONFIGURATION

A-A

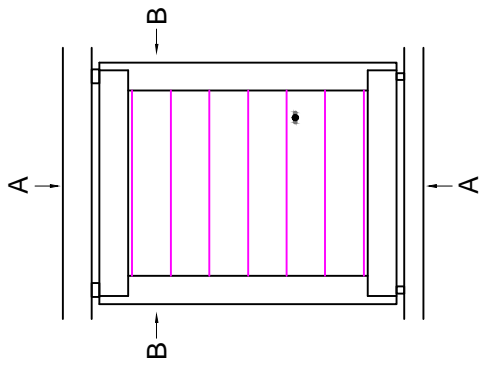


INSIDE

SCALE 1:2

OZROLL ELIPSO CL 05.37

ELIPSO CL (CYCLONE LOUVRE) SLIDING LOUVRE MULTIPLE TRACK STACKING / CURVED CLOSED BLADE CONFIGURATION



B-B

