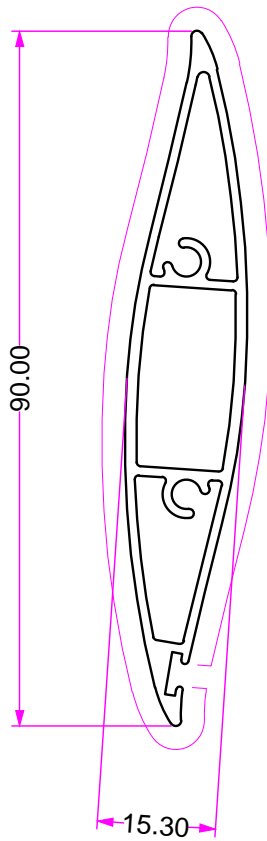
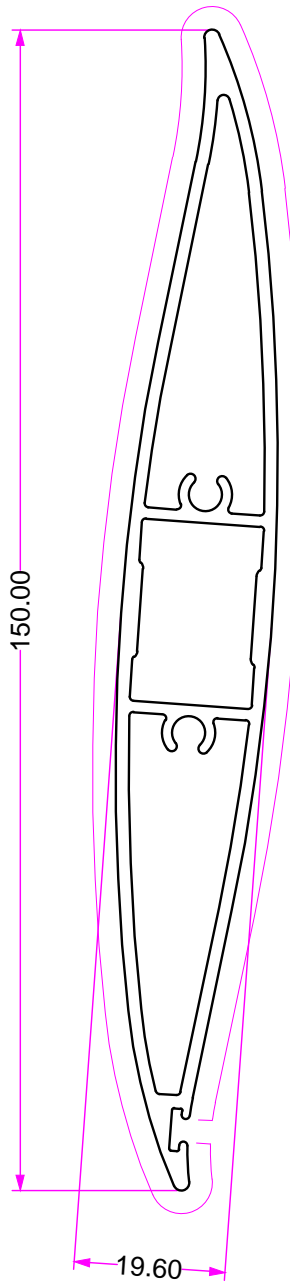


ELIPSO CL (CYCLONE LOUVRE) EXTRUSION PROFILES

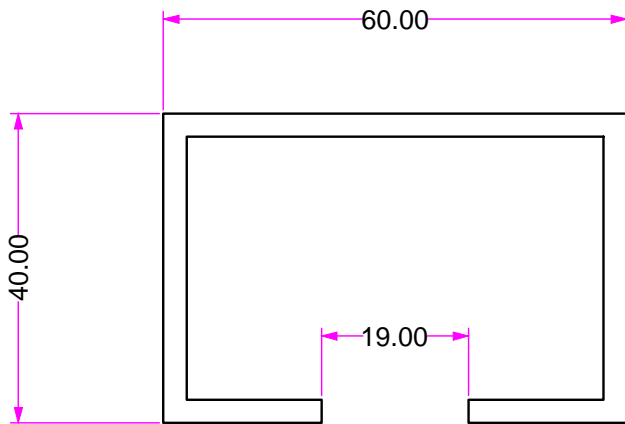


94.SC100-05
BLADE 90mm

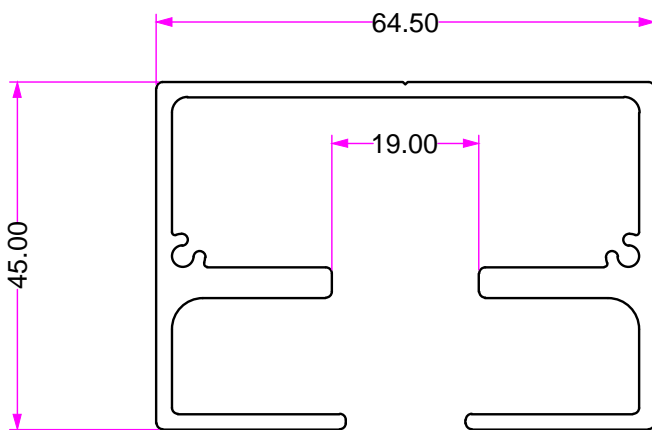


94.LT2030
BLADE 150mm

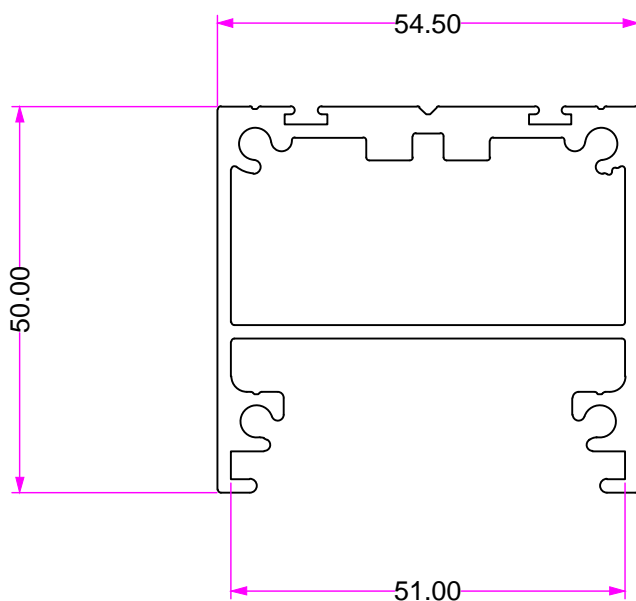
ELIPSO CL (CYCLONE LOUVRE) EXTRUSION PROFILES



94.B60x40x3.0x6.5
60x40x3mmx6500

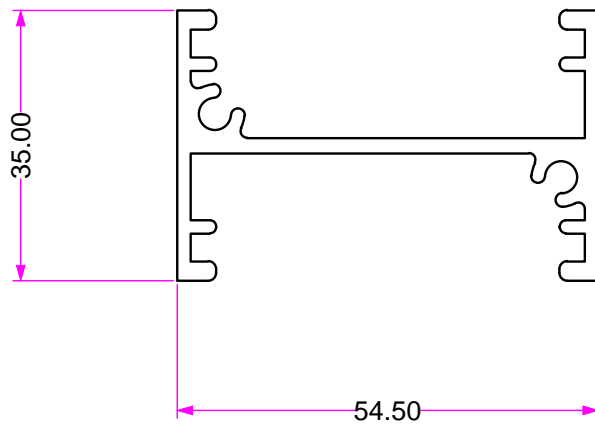


94.SC100-30
CL90 TOP TRACK

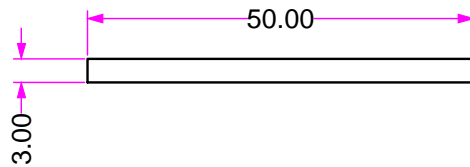


94.SC100-15
CL90 FRAME

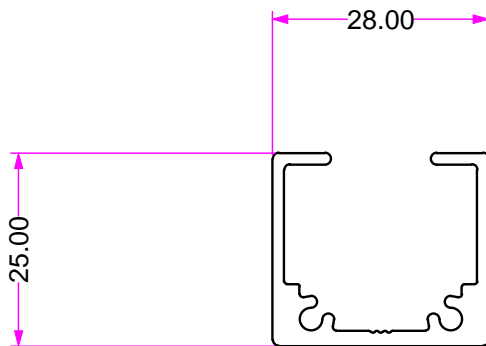
ELIPSO CL (CYCLONE LOUVRE) EXTRUSION PROFILES



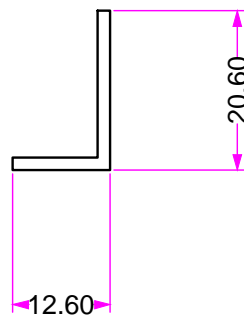
94.SC100-51
CL90 MULLION



94.FB50 x 3.0
FLAT BAR x 4000

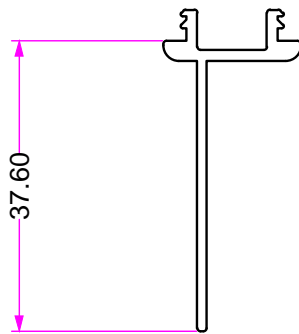


94.SC100-35
CL90 BOTTOM TRACK

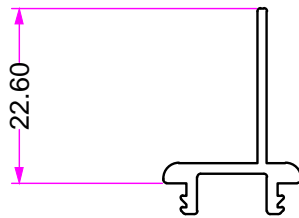


94.SC100-40
FINGER GRIP ANGLE
20x12x1.6mmx6500

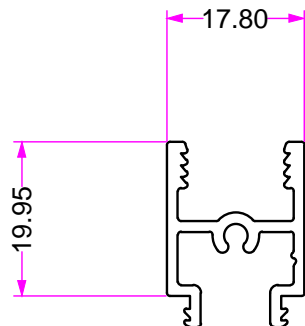
ELIPSO CL (CYCLONE LOUVRE) EXTRUSION PROFILES



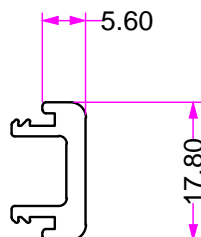
94.DLI20-07
DLI INFILL 35mm



94.DLI20-06
DLI INFILL 20mm

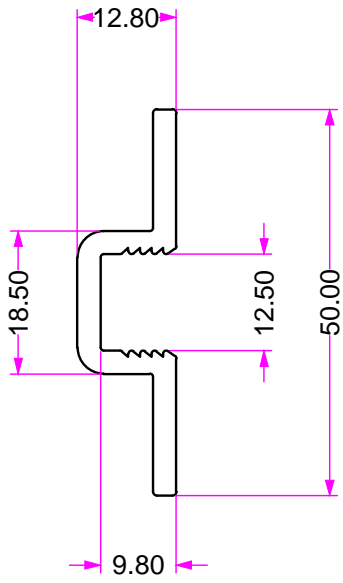


94.DLI20-23
DLI TRIM ADAPTOR

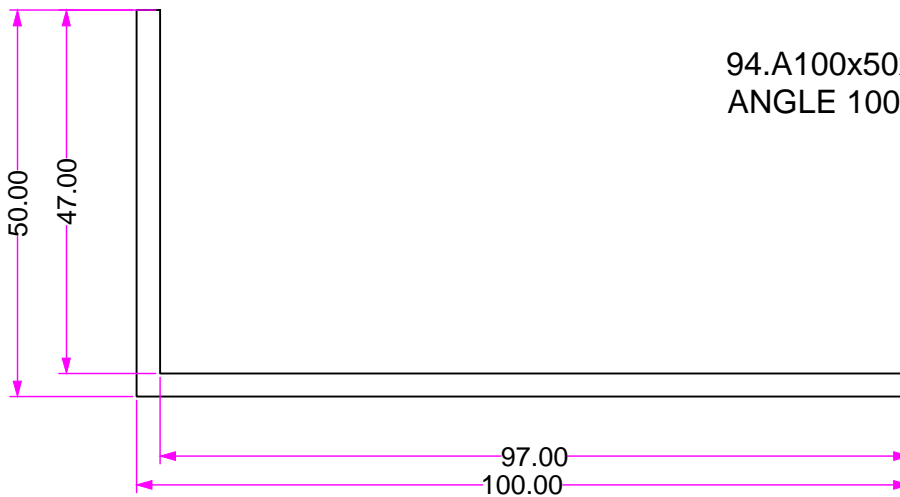


94.DLI20-05
DLI BLADE INFILL

ELIPSO CL (CYCLONE LOUVRE) EXTRUSION PROFILES

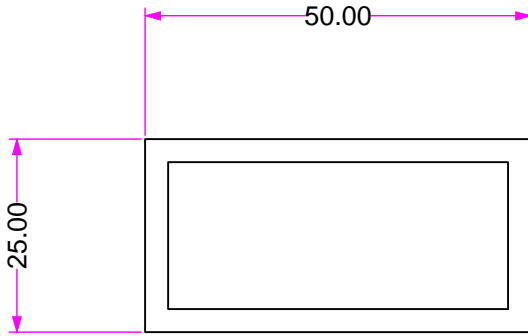


94.SC100-27
CL90 FRAME STEPPED INSERT

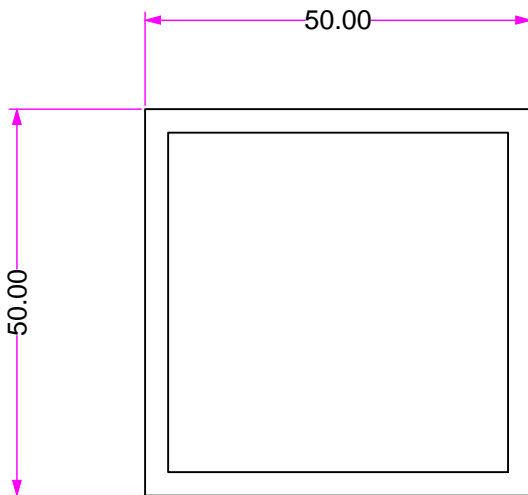


94.A100x50x3.0x6500
ANGLE 100x50x 3mm

ELIPSO CL (CYCLONE LOUVRE) EXTRUSION PROFILES



94.B50x25x3.0x6.5
RHS 50x25x3mmx6500

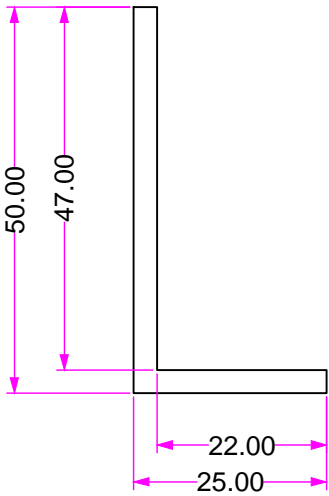


94.B50x50x3.0x6.5
SHS 50x50x3mmx6500

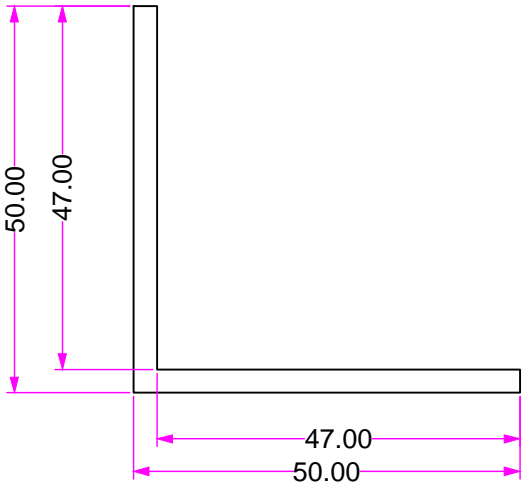


94.B100x50x3.0x6.5
RHS 100x50x3mmx6500

ELIPSO CL (CYCLONE LOUVRE) EXTRUSION PROFILES (OPTIONAL EXTRAS)



94.A50x25x3.0x6500
ANGLE 25x50x3mm



94.A50x50x3.0x6500
ANGLE 50x50x3mm