

6 1 5 1 4 3 1 2 1 1

D
C
B
A

D
C
B
A

SPIGGOT CAN BE MOUNTED HORIZONTAL OR VERTICAL

OPTIONAL LENGTH

SPIGGOT TO HAVE INTERNAL FIXING

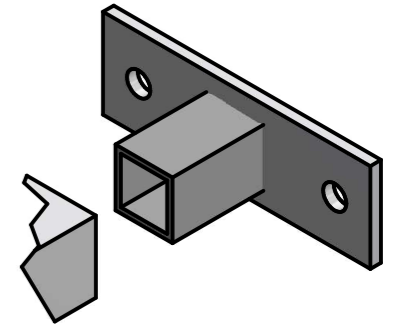
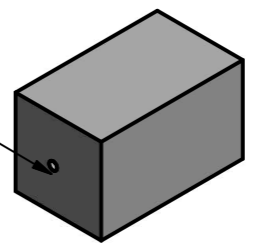
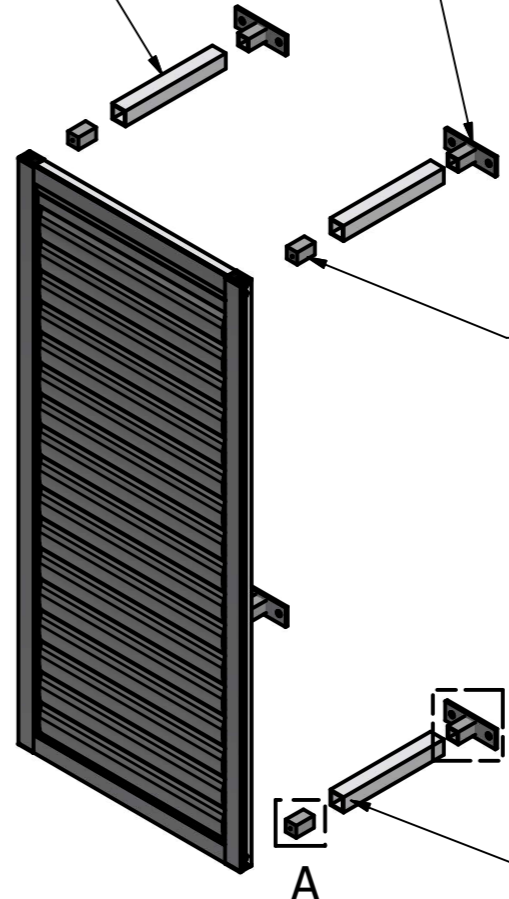
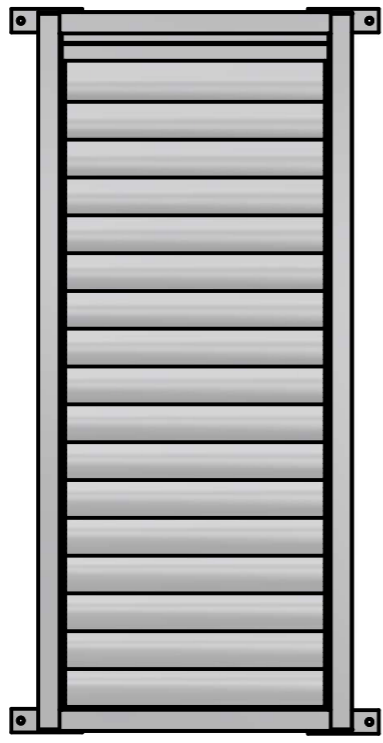
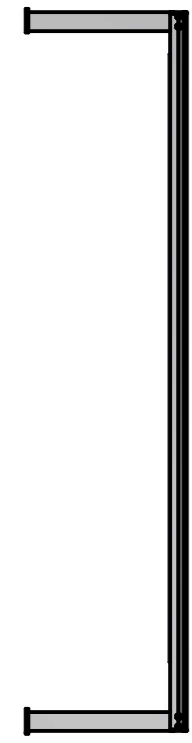
SIDE FIXING INTO SPIGGOT

ISOMETRIC EXPLODED VIEW

INTERNAL FIXINGS

DETAIL A
SCALE 1 / 2

DETAIL B
SCALE 1 / 3



SIDE VIEW

FRONT VIEW

ACKNOWLEDGEMENT
ALL DIMENSIONS IN mm.
UNLESS THERWISE STATED
LINEAR AND ANGULAR
TOLERANCES AS SPECIFIED
© OZROLL 2018

Designed by
mjarvis
Checked by
GVH
Approved by
ADDRESS

Date
A3
Date
19/11/2018

SCALE: NTS



DLI-FIXED WITH STAND OFFS

DWG No.

Edition
A

Sheet
1 / 1



4/145 QUINNS HILL ROAD EAST
STAPYLTON
QLD 4207
PH.073393 3355

6 1 5 1 4 3 1 2 1 1